

The versatile, low-cost, low-profile wallpack.

BRISK™—efficient & affordable LED light.



RAB®
LIGHTING
RABWEB.COM • 888-722-1000

BRISK™ Wallpacks



- Offered in 4 wattages and 2 sizes
- Replaces up to 100W MH or up to 50W HPS
- DLC listed
- 60,000-hour LED lifespan

Specifications

UL Listing: Suitable for wet locations

LEDs: Long-life, high-efficiency surface mount LEDs

Driver: Class 2, Constant Current, 50/60 Hz., 120-277V

5000K

| Wattage | 40W | 24W | 12W | 8W |
|----------------------|------|------|------|-----|
| Output Lumens | 4827 | 2936 | 1596 | 998 |
| Lumens Per Watt | 123 | 124 | 118 | 112 |
| Color Accuracy (CRI) | 74 | 74 | 74 | 74 |

4000K

| Wattage | 40W | 24W | 12W | 8W |
|----------------------|------|------|------|-----|
| Output Lumens | 4691 | 2853 | 1551 | 970 |
| Lumens Per Watt | 119 | 121 | 115 | 109 |
| Color Accuracy (CRI) | 73 | 73 | 73 | 73 |

3000K

| Wattage | 40W | 24W | 12W | 8W |
|----------------------|------|------|------|-----|
| Output Lumens | 4588 | 2791 | 1517 | 949 |
| Lumens Per Watt | 116 | 118 | 112 | 107 |
| Color Accuracy (CRI) | 71 | 71 | 71 | 71 |

Photocell: Optional 120-277V photocell available

Cold Weather Starting: The minimum starting temperature is -22° F (-30° C)

Ambient Temperature: Suitable for use in 104° F (40° C) ambient temperatures

Housing: Precision die-cast aluminum

Reflector: Specular

Lens: Diffused acrylic

Mounting: Heavy duty, die-cast wiring compartment with four (4) conduit entries (one top, two side, one back).

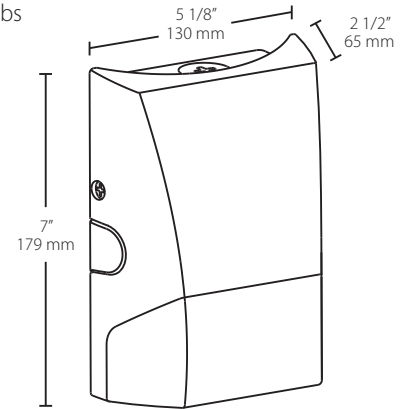
Gasket: Silicone foam

Finish: Chip and fade resistant polyester powder coat finish

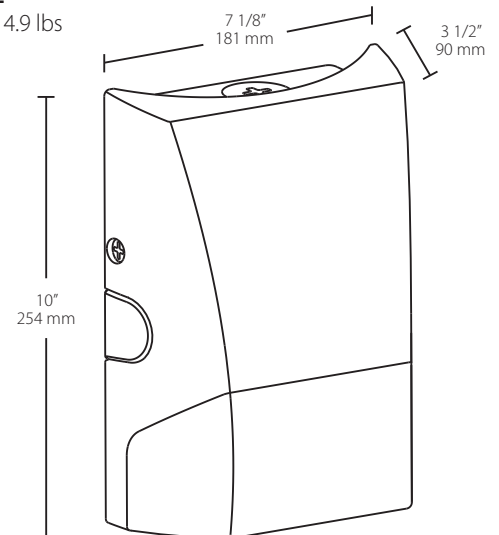
Green Technology: Mercury & UV free

Dimensions and weights

BRISK
Weight: 2 lbs



BRISKXL
Weight: 4.9 lbs



Ordering information

Product Family

Wattage

Color Temperature

Finish

Options

BRISK Small (8W & 12W)
BRISKXL XL (24W & 40W)

8 8W (Small)
12 12W (Small)
24 24W (XL)
40 40W (XL)

Blank 5000K
N 4000K
Y 3000K

Blank Bronze
W White

/PCU 120-277V Photocell